



TR-51

Denver.eu

12/25



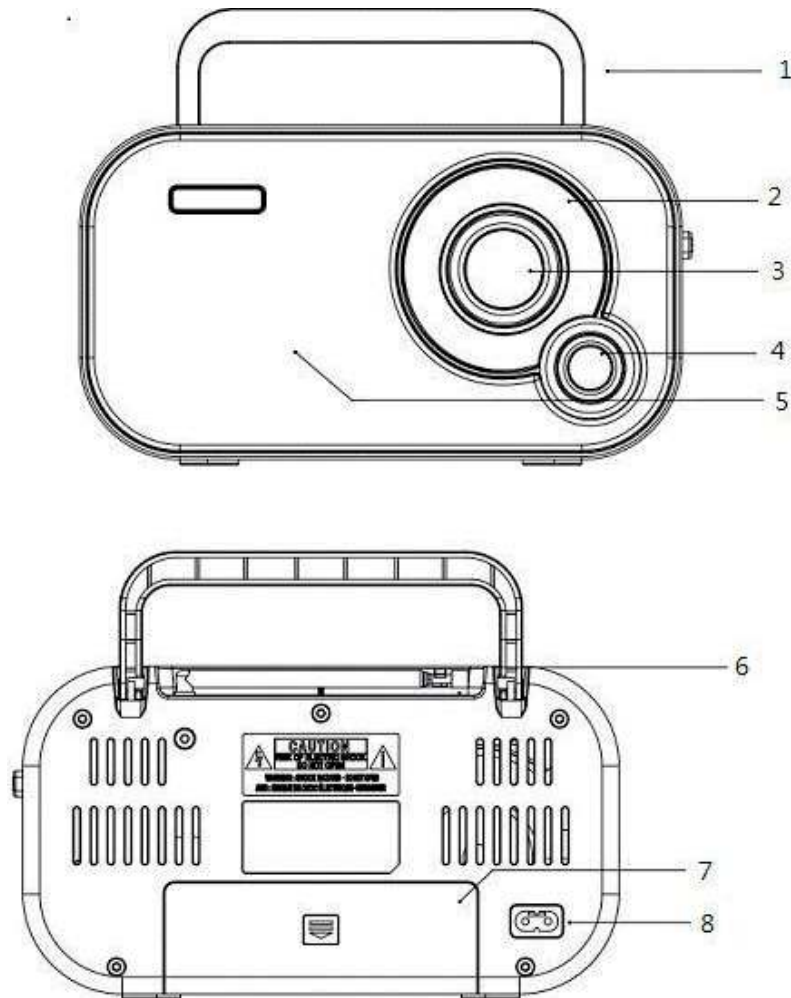
Contact.hq@denver.eu

Safety information

Please read the safety instructions carefully before using the product for the first time and keep the instructions for future reference.

- 1.This product is not a toy. Keep it out of reach of children.
- 2.Keep product out of the reach of children and pets to avoid chewing and swallowing.
- 3.Never use old and new batteries or different types of batteries together. Remove the batteries when you are not using the system for a longer period of time. Check the polarity (+/-) of the batteries when inserting them in the product. Wrong positioning can cause an explosion. Batteries are not included.
- 4.Product operating and storage temperature is from 0 degree Celsius to 40 degree Celsius. Under and over this temperature might affect the function.
- 5.Never open the product. Touching the inside electrics can cause electric shock. Repairs or service should only be performed by qualified personnel.
- 6.Do not expose to heat, water, moisture, direct sunlight!
- 7.Please protect your ears against loud volume. Loud volume can damage your ears and risk in hearing loss.
- 8.The unit is not waterproof. If water or foreign objects enter the unit, it may result in fire or electric shock.
If water or a foreign object enters the unit, stop use immediately.
- 9.Do not use non original accessories together with the product as this can make the product functionality abnormal.

Model TR-51
AC/DC Portable FM Radio
Instruction Manual



COMPONENTS

1. Carry handle
2. FM frequency indicator
3. Tuning knob
4. Volume knob
5. Speaker
6. Telescopic antenna
7. Battery compartment
8. AC mains jack

BATTERY OPERATION

1. Open the battery compartment on the back of the product.
2. Insert four AA/UM-3 batteries (not included) with correct polarities indicated.
3. Remove the batteries from the battery compartment if the product is not used for long periods.
4. Remove all the batteries when operating this product by AC power supply.

Attention! Do not operate this product by AC power and battery power at the same time.

POWER OPERATION

1. Connect the supplied AC power cord to the AC mains jack on the back of the product.

TECHNICAL DATA

Input voltage: 230 V/AC, 50 Hz, or 4 x 1.5 V AA/UM-3 batteries (not included)

FM frequency range: 87.5 – 108 MHz